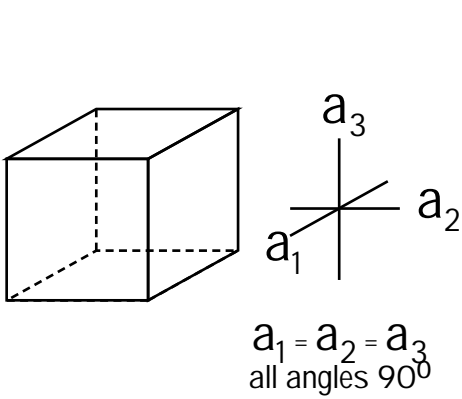
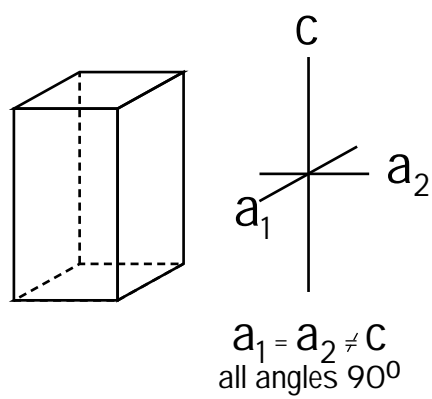


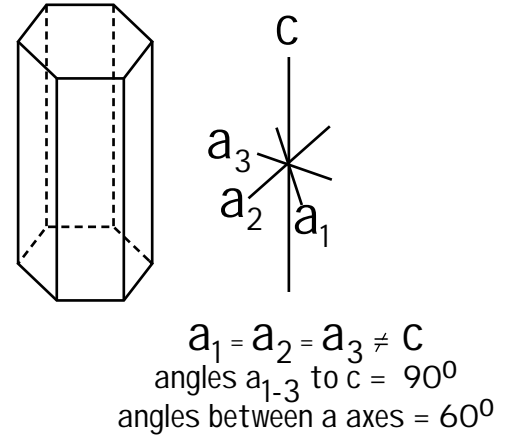
THE SIX CRYSTAL SYSTEMS



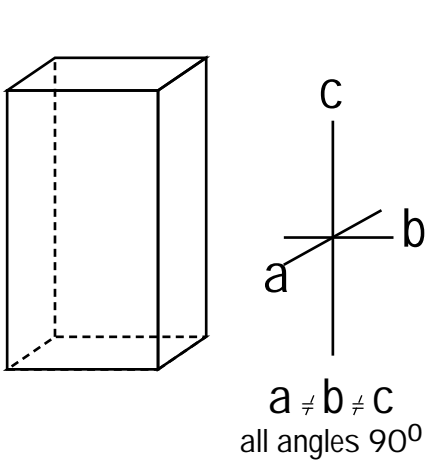
ISOMETRIC
(CUBIC)



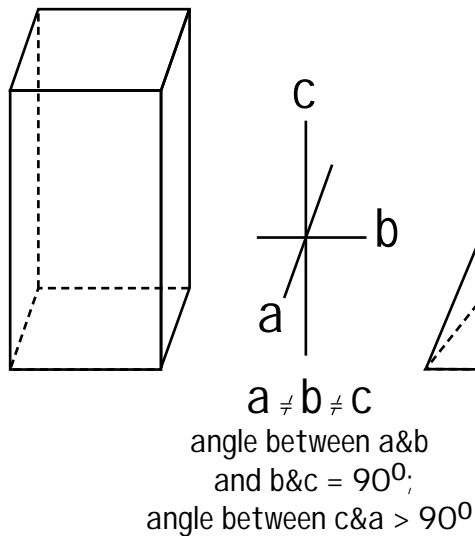
TETRAGONAL



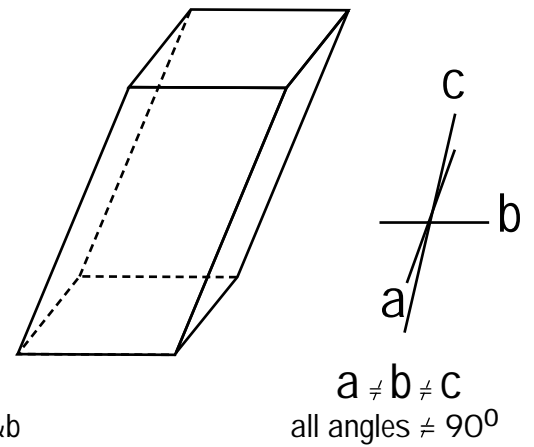
HEXAGONAL



ORTHORHOMBIC



MONOCLINIC



TRICLINIC